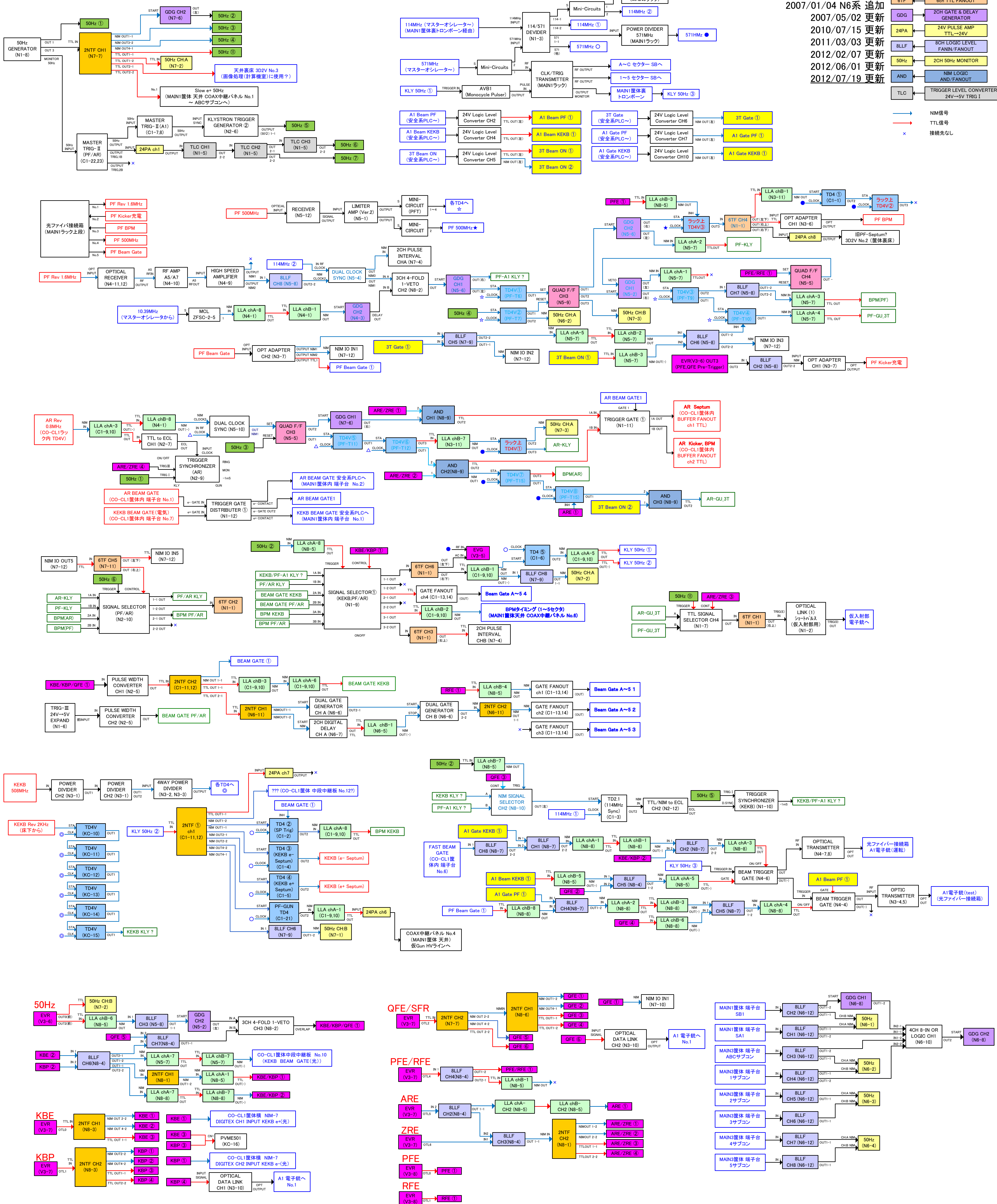
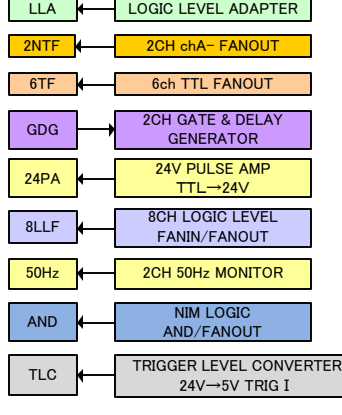


Main Trigger Station

2006/03/15 作成
2006/12/26 N5系 更新
2007/01/04 N6系 追加
2007/05/02 更新
2010/07/15 更新
2011/03/03 更新
2012/02/07 更新
2012/06/01 更新
2012/07/19 更新



光ファイバ接続箱 (MAIN1ラック上段)
PF Rev 1.6MHz
PF Kicker充電
PF BPM
PF 500MHz
PF Beam Gate
PF Rev 1.8MHz
10.39MHz (マスターオシレータから)
MCL ZFSC-2-5
LLA chA-8 (N4-1)
LLA chB-1 (N4-1)
GDG CH2 (N4-3)
RECEIVER (N5-12)
LIMITER AMP (N5-1)
MINI-CIRCUIT 1-4
各TD4へ
MINI-CIRCUIT 2
PF 500MHz
2CH PULSE INTERVAL CHA (N7-4)
DUAL CLOCK SYNC (N5-4)
3CH 4-FOLD 1-VETO CH2 (N8-2)
GDG CH1 (N5-6)
PF-A1 KLY ?
QUAD F/F CH3 (N5-9)
TD4V1 (PF-T6)
TD4V2 (PF-T7)
TD4V3 (PF-T8)
TD4V4 (PF-T9)
TD4V5 (PF-T10)
TD4V6 (PF-T11)
TD4V7 (PF-T12)
TD4V8 (PF-T13)
TD4V9 (PF-T14)
TD4V10 (PF-T15)
LLA chA-1 (N5-7)
8LLF CH7 (N5-8)
QUAD F/F CH4 (N5-5)
LLA chA-3 (N5-7)
LLA chA-4 (N5-7)
LLA chB-2 (N5-7)
LLA chB-3 (N5-7)
8LLF CH8 (N5-8)
NIM IO IN3 (N7-12)
EVR(V3-6) OUT3 (PFE,QFE Pre-Trigger)
8LLF CH2 (N5-8)
OPT ADAPTER CH1 (N3-7)
PF Kicker充電
AR Rev 0.8MHz (CO-CL1ラック内 TD4V)
LLA chA-3 (C1-9,10)
LLA chB-8 (N4-1)
DUAL CLOCK SYNC (N5-10)
QUAD F/F CH3 (N5-5)
TD4V5 (PF-T11)
TD4V6 (PF-T12)
LLA chB-7 (N3-11)
ラック上 TD4V1
AR-KLY
TRIGGER SYNCHRONIZER (AR) (N2-9)
50Hz ①
AR BEAM GATE (CO-CL1室内 端子台 No.1)
TRIGGER GATE DISTRIBUTOR ① (N1-12)
TRIGGER GATE ① (N1-11)
AR BEAM GATE1
KEKB BEAM GATE (電気) (CO-CL1室内 端子台 No.7)
TRIGGER GATE DISTRIBUTOR ② (N1-12)
KEKB BEAM GATE1
AR-KLY
PF-KLY
BPM(AR)
BPM(PF)
SIGNAL SELECTOR (PF/AR) (N2-10)
6TF CH5 (N7-11)
NIM IO IN5 (N7-12)
50Hz ②
LLA chA-8 (N8-5)
KBE/KBP ①
EVG (V3-5)
TD4 (C1-6)
LLA chA-5 (C1-9,10)
8LLF CH8 (N7-9)
50Hz CHA (N7-2)
GATE FANOUT ch4 (C1-13,14)
Beam Gate A~5 4
BPMタイミング (1~5セクタ) (MAIN1室内天井 COAX中継パネル No.8)
6TF CH3 (N1-1)
2CH PULSE INTERVAL CHB (N7-4)
LLA chB-4 (N8-5)
RFE ①
GATE FANOUT ch1 (C1-13,14)
Beam Gate A~5 1
GATE FANOUT ch2 (C1-13,14)
Beam Gate A~5 2
GATE FANOUT ch3 (C1-13,14)
Beam Gate A~5 3
KEKB 500MHz
POWER DIVIDER CH2 (N3-1)
POWER DIVIDER CH2 (N3-1)
4WAY POWER DIVIDER (N3-2, N3-3)
各TD4へ
BEAM GATE ①
KBE/KBP/QFE ①
PULSE WIDTH CONVERTER CH1 (N2-5)
2NTE CH2 (C1-11,12)
LLA chB-3 (C1-9,10)
LLA chA-6 (C1-9,10)
BEAM GATE KEKB
TRIG-III 24V→5V EXPAND (N1-6)
PULSE WIDTH CONVERTER CH2 (N2-5)
BEAM GATE PF/AR
2NTE CH1 (N6-11)
DUAL GATE GENERATOR CH A (N6-6)
DUAL GATE GENERATOR CH B (N6-6)
2CH DIGITAL DELAY CH A (N6-7)
LLA chB-1 (N6-5)
TD4 ② (SP Trig) (C1-2)
TD4 ③ (KEKB e- Septum) (C1-4)
TD4 ④ (KEKB e+ Septum) (C1-5)
PF-GUN TD4 (C1-2)
LLA chA-1 (C1-9,10)
24PA ch6
8LLF CH6 (N7-9)
50Hz CHB (N7-1)
COAX中継パネル No.4 (MAIN1室内天井) 仮Gun HVラインへ
50Hz ②
LLA chB-7 (N8-5)
QFE ②
KEKB KLY ?
NIM SIGNAL SELECTOR CH2 (N8-10)
TD2.1 (114MHz Sync) (C1-3)
TTL/NIM to ECL CH2 (N2-12)
50Hz ⑤
TRIGGER SYNCHRONIZER (KEKB) (N1-10)
KEKB/PF-A1 KLY ?
A1 Gate KEB ①
FAST BEAM GATE (CO-CL1室内 端子台 No.6)
8LLF CH8 (N8-7)
8LLF CH1 (N8-7)
LLA chA-1 (N8-8)
LLA chB-1 (N8-8)
8LLF CH8 (N8-7)
LLA chA-3 (N8-8)
LLA chA-4 (N8-8)
8LLF CH7 (N8-7)
LLA chA-5 (N8-5)
LLA chB-2 (N8-8)
LLA chB-3 (N8-8)
8LLF CH5 (N8-7)
LLA chA-2 (N8-8)
LLA chB-6 (N8-8)
QFE ④
QFE ③
QFE ②
QFE ①
EVR (V3-7) TTL
2NTE CH2 (N7-7)
NIM OUT 2-2
NIM OUT 4-2
TTL OUT 2-2
OPTICAL DATA LINK CH2 (N3-10)
OPT OUTPUT
A1電子銃へ No.1
MAIN1室内 端子台 SB1
8LLF CH2 (N6-12)
50Hz (N6-1)
4CH 8-IN OR LOGIC CH1 (N6-10)
START
GDG CH2 (N6-8)
MAIN1室内 端子台 SA1
8LLF CH1 (N6-12)
MAIN3室内 端子台 ABCサブコン
8LLF CH1 (N6-12)
MAIN3室内 端子台 1サブコン
8LLF CH4 (N6-12)
MAIN3室内 端子台 2サブコン
8LLF CH6 (N6-12)
MAIN3室内 端子台 3サブコン
8LLF CH8 (N6-12)
MAIN3室内 端子台 4サブコン
8LLF CH7 (N6-12)
MAIN3室内 端子台 5サブコン
8LLF CH8 (N6-12)